

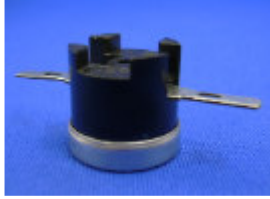


**İMAJ TEKNİK**  
ELEKTRİK ELEKTRONİK MALZ. SAN. VE TİC. LTD. ŞTİ.



## Automatic Reset

### TYPE 50S / 50N



Type 50S / 50N

1/2" Bimetallic Disc Thermostat

Automatic Reset / Phenolic Case / Clip-On

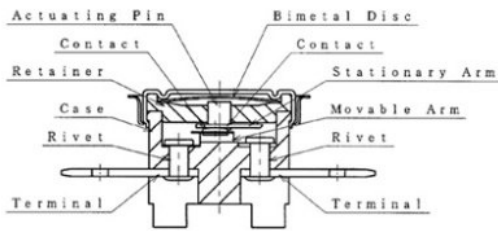
50N: 25 VAC/ 15A, 250VDC/ 10A (Phenolic case)

50S: 125 VAC/ 6A, 250VAC/ 3A (Phenolic case)

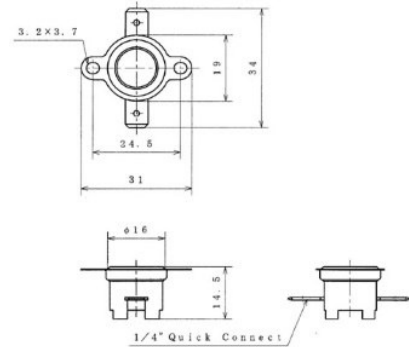
Standard: UL-E43273, CSA-LR67166

Item	Specifications
Basic Features	Automatic Reset, SPST Bimetallic Disc Thermostat
Operation	A: Contacts open on temperature rise B: Contacts close on temperature rise
Electrical Rate	Resistive: 125 VAC/15A, 250VAC/10A
Temperature Rating	Max Operating Temp 150°C (302°F)
Calibration Method	Hot Oven circulating System
Insulation Resistance	No less than 1,000 M(Ω) at DC 500V with Megger
Dielectric Strength	AC 1,500 Vfor 1 minute or AC 1,800 V for 1 second

### Structure



### Dimensions



adresimiz  
değişti

Emekyemez Mah.Yüksek Minare Sk. No:8 / 17  
80020 Karaköy / İstanbul  
Tel:212/2359535  
Fax:212/2359537